

IPC-B220-D 2.0 MP ICR Network Bullet Camera



Key Features

- 1/2.8" progressive scan CMOS
- Up to 2.0 megapixel high resolution
- Up to 30 m IR distance
- Dual stream
- Digital wide dynamic range
- 3D DNR (Digital Noise Reduction)
- IP67
- Mobile monitoring via mobile application

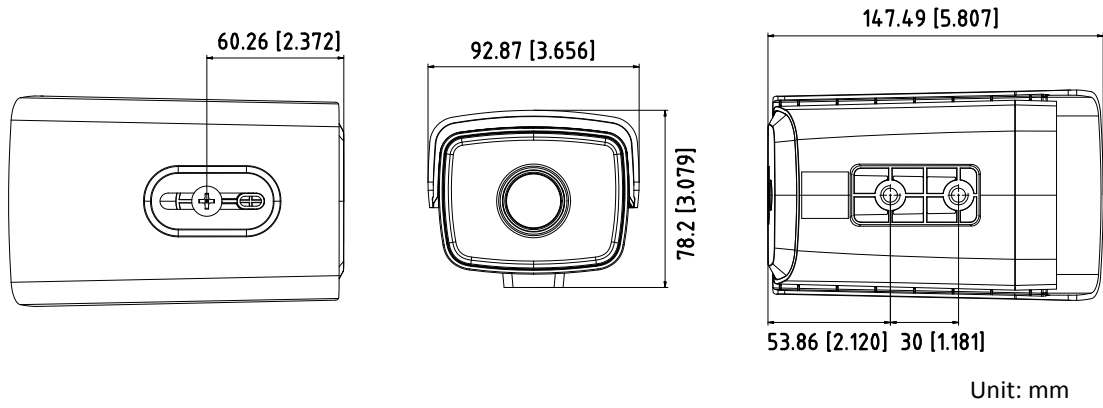
Specification

Camera	
Image Sensor	1/2.8" progressive scan CMOS
Min. Illumination	0.01 Lux @(F1.2,AGC ON), 0 Lux with IR
Shutter Speed	1/3 s to 1/100,000 s, support slow shutter
Lens	4 mm, horizontal field of view: 83° (6 mm: 55° optional)
Lens Mount	M12
Day & Night	IR cut filter with auto switch
DNR (Digital Noise Reduction)	3D DNR
WDR (Wide Dynamic Range)	Digital WDR
Compression Standard	
Video Compression	Main stream: H.264 Sub stream: H.264, MJPEG
H.264 Type	Baseline profile/main profile
Video Bit Rate	32 Kbps to 8 Mbps
Dual Streams	Support
Image	
Max. Resolution	1920 × 1080
Main Stream Max. Frame Rate	50Hz: 25fps @(1920 × 1080,1280 × 960,1280 × 720) 60Hz: 30fps @(1920 × 1080,1280 × 960,1280 × 720)
Sub-stream Max. Frame Rate	50Hz: 25fps @(704 × 576, 640 × 480, 352 × 288, 320 × 240) 60Hz: 30fps @(704 × 480, 640 × 480, 352 × 240, 320 × 240)
Image Settings	Brightness, saturation, contrast, sharpness are adjustable via web browser or client software
Day/Night Switch	Support auto, scheduled, and triggered by alarm input
Others	Mirror, BLC (area configurable), region of interest (support 1 fixed region)
Network	
Detection	Motion detection
Alarms	Video tampering, network disconnected, IP address conflicted, HDD full, HDD error
Protocols	TCP/IP, ICMP, HTTP, HTTPS, FTP, DHCP, DNS, DDNS, RTP, RTSP, RTCP, NTP, UPnP, SMTP, SNMP, IGMP, 802.1X, QoS, IPv6, Bonjour
Standard	ONVIF (PROFILE S, PROFILE G), CGI, ISAPI
General Function	Anti-flicker, heartbeat, mirror, password protection, privacy mask, IP address filter, watermark
Interface	
Communication Interface	1 RJ45 10M/100M self-adaptive Ethernet port
General	
Operating Conditions	-30 °C to 60 °C (-22 °F to 140 °F), Humidity 95% or less (non-condensing)
Power Supply	12 VDC ± 25%
Power Consumption	12 VDC, 0.38 A, Max. 4.5 W
IR Distance	Up to 30 m
Protection Level	IP67
Dimensions	147.5 mm × 78.2 mm × 92.9 mm (5.8" × 3.1" × 3.7")
Weight	Approx. 350 g (0.8 lb.)

Available Models

IPC-B220-D

Dimension



Accessories



DS-1296ZJ (Included in the package)
Wall Mounting Bracket



DS-1299ZJ (optional)
Pendent Mounting Bracket